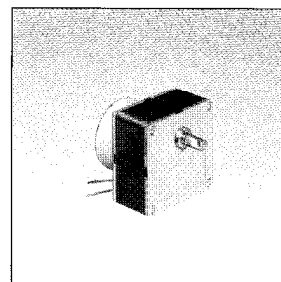
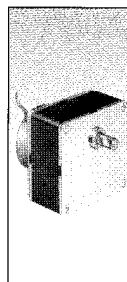


# Reversible synchronous geared motors with capacitor

- Constant speed, dependent on supply frequency
- Direction of rotation controlled by dephasing capacitor
- Permanent magnet rotor
- UL, CSA, VDE approved, comply with IEC standards.



## Applications

- Valve actuation
- Blind, louvre and vane actuation
- Office equipment
- Boiler systems
- Amusement machines
- Vending machines
- Medical equipment
- Laboratory equipment
- Peristaltic pumps

## Types

		80 517 0	80 527 0	80 527 4
<b>Voltages / Frequencies</b>		230-240 V 50 Hz	230-240 V 50 Hz	230-240 V 50 Hz
Base speed of motor (rpm)		250	250	375
<b>Output speeds (rpm)</b>		Ratios (i)		<b>Part numbers</b>
Motors	250 rpm    375 rpm			
	20	30	12.5	● 80 527 010
	10	15	25	● 80 527 001
	8	12	31.25	●
	6	9	41.66	● 80 527 002
	4	10	62.5	● 80 527 003
	3	4.5	83.33	●
	2	3	125	● 80 527 005
	1	1.5	250	● 80 527 006
	0.5	0.75	500	●
	0.33	0.5	750	● 80 527 008
	0.1	0.15	2500	●

Standard gearbox shaft: see dimensions

## General characteristics

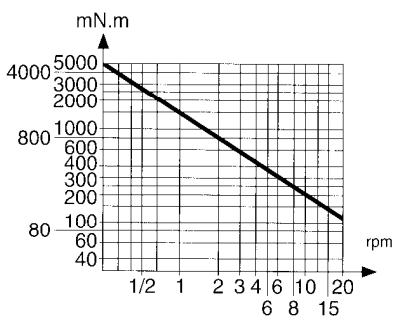
	82 510 0	82 520 0	82 520 4
Motor	82 510 0	82 520 0	82 520 4
Gearbox	81 037 0	81 037 0	81 037 0
Maximum permitted continuous rated gearbox output torque for 1 million revolutions of gearbox output shaft N.m	5	5	5
Axial load (static) daN	2	2	2
Radial load (static) daN	3	3	3
Absorbed power W	2.7	3.5	3.5
Usable motor power W	0.31	0.98	1.12
Maximum temperature rise °C	50	50	50
Ambient temperature °C	-10+70	-10+70	-10+70
Weight g	410	530	530
Lead length (approx.) mm	250	250	250
Protection	IP40	IP40	IP40

## Options : for made to order products non stocked

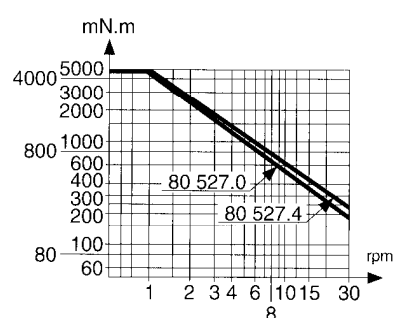
Voltages / Frequencies	24-115 V 60 Hz		
	24 V 50 Hz	●	●
Round shaft 79 306 478 (see page 2/25)		●	●

## Torque / Speed curves

80 517 0



80 527 0 - 80 527 4

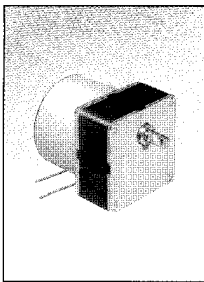


## Capacitors (supplied only on request)

Voltages / Frequencies	μF	V	Part number	Voltages / Frequencies	μF	V	Part number
<b>Motor 82 510 0</b>				<b>Motor 82 520 0</b>			
230-240 V 50 Hz	0.33 ± 10%	400	26 231 801	230-240 V 50 Hz	0.10 ± 10%	700	26 231 941
115 V 50/60 Hz	0.27 ± 10%	250	26 231 851	115 V 60 Hz	0.33 ± 10%	400	26 231 801
24 V 50 Hz	8.2 ± 10%	63	26 231 711	24 V 50 Hz	8.2 ± 10%	63	26 231 711
24 V 60 Hz	6.8 ± 10%	63	26 231 148				
<b>Motor 82 520 4</b>							
230-240 V 50 Hz	0.12 ± 10%	630	26 231 903				
115 V 60 Hz	0.39 ± 10%	630	26 231 924				
24 V 50 Hz	15 ± 10%	63	26 231 729				
24 V 60 Hz	12 ± 10%	63	26 231 727				

## Other information

For basic principles, see page 2/4



80 547 0

230-240 V  
50 Hz  
250

80 547 024

80 547 015

80 547 016

80 547 017

80 547 018

80 547 019

80 547 020

80 547 021

82 540 0

81 037 0

5

2

3

7.2

2.65

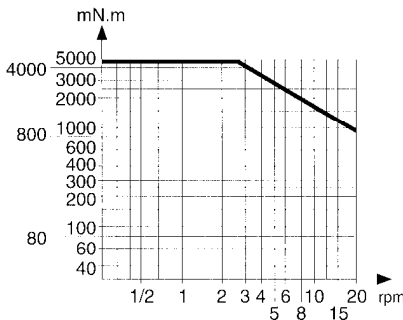
55

-10+70

860

250

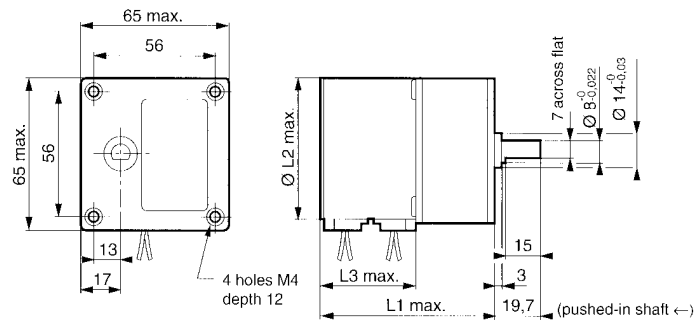
80 547 0



Voltages / Frequencies	μF	V	Part number
<b>Motor 82 540 0</b>			
230-240 V 50 Hz	0.22 ± 10%	630	26 231 908
115 V 60 Hz	0.56 ± 5%	400	26 231 922
24 V 50 Hz	15 ± 10%	63	26 231 729
24 V 60 Hz	15 ± 10%	63	26 231 729

**Dimensions**

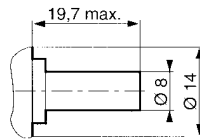
80 517 0 - 80 527 0 - 80 527 4 - 80 547 0



Type	L1 (mm)	Ø L2 (mm)	L3 (mm)
80 517 0	55.3	35.8	21.7
80 527 0	59.2	51.3	25.6
80 527 4	59.2	51.3	25.6
80 547 0	76.6	65.3	43

**Shaft 79 206 478**

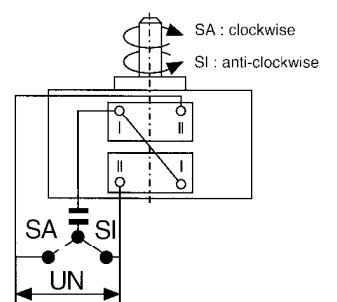
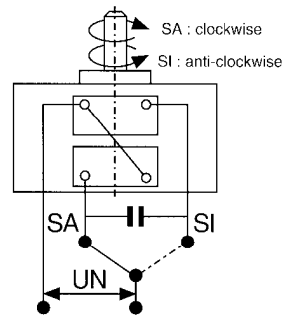
(pushed-in shaft ←)



**Connections**

In parallel  
Motors 82 510 0 - 82 520 0 - 82 520 4  
82 540 0

In series  
Motor 82 510 0 only  
230V - 240V 50 Hz version



**To order, specify :**

Standard products

Part number

Example : Synchronous geared motor 80 527 010

Standard products, non stocked

Type

Voltage / Frequency

Output speed

Option

Example : Reversible synchronous geared motor 80 517 0 - 230 V 50 Hz - 20 rpm