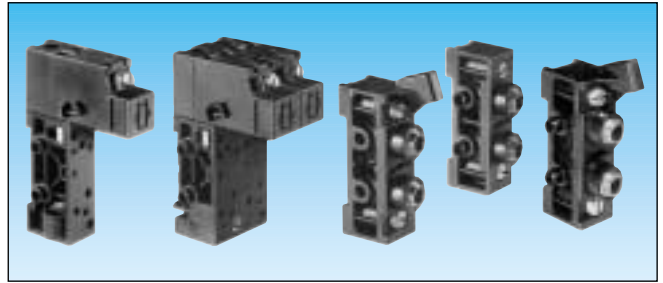


Sub-bases and end bases for miniature control valves



Part numbers

Mounting			Cabinet	Cabinet	Cabinet	Cabinet
Version			17.5 mm	35 mm	—	—
Push-in connection for semi-rigid tubing (NFE 49100)	Sub-bases	Ø 4 mm	81 513 060	81 517 101	—	—
		Ø 6 mm	81 513 065	81 517 201	—	—
	End bases (pair)	Ø 6 mm	—	—	81 513 011	—
	Intermediate supply module	Ø 6 mm	—	—	—	81 513 001

Characteristics

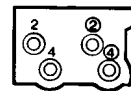
Torque capacity	mm ²	3	3	—	—
UL and cUL approval		MM15085	MM15085	—	—
Mounting		DIN rail 35 mm	DIN rail 35 mm	DIN rail 35 mm	DIN rail 35 mm
Weight	g	EN 50022	EN 50022	EN 50022	EN 50022
		55	110	86	44

Connections

Pneumatic

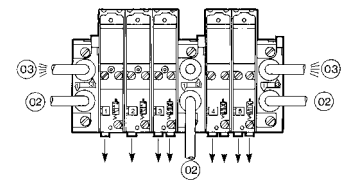


- 2 - Pneumatic output 4/2 (NO)
- 4 - Pneumatic output 3/2 or 4/2 (NC)



- 2 Output at rest (NO)
- 2 Output at rest *
- 4 Output at rest *
- 4 Output operating (NC)

81 513 011 - 81 513 001



Note :

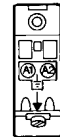
- Each sub-base can accept
- sub-base 81 513 060-065 : 1 relay 3/2 or 4/2, width 17.5 mm
- sub-base 81 517 101-201 : 1 bistable relay 4/2 (width 35 mm) or 2 relays 3/2 or 4/2 (width 17.5 mm)

02 2 Supply ports

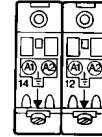
03 2 Exhaust ports

Integral push-in connections Ø 6 mm

Electrical



- A1 - Pilot signal
- A2 - Common

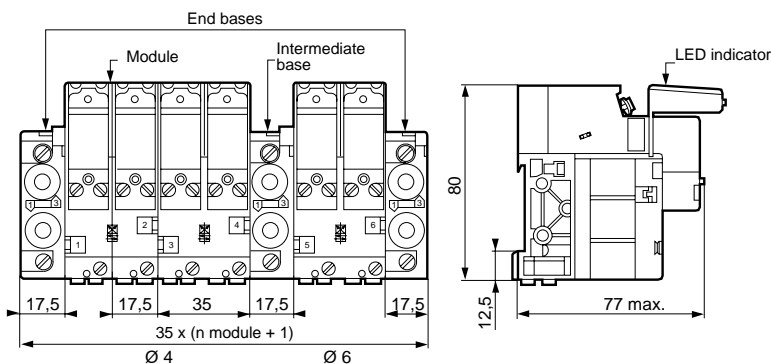


- A1 - Operating control signal (14)
- A2 - Common
- A1 - Rest control signal (12)
- A2 - Common



Degree of protection : IP20 when assembled.

Dimensions with miniature control valves (page 5/8) + miniature solenoid valves (page 5/4) + indicators (page 5/11)



Other information

To order, specify :

Standard products

1 Part number

Example : Miniature control valve - 81 513 060