

# J8

## Joystick

Microswitches

### J8

Panel cut-out (mm)	Ø 22.5
Characteristics	■ choice of directional gating options ■ choice of microswitch functions
Rating	up to 16 A, 250 VAC up to 5 A, 250 VAC
Dimensions (mm)	up to 74.5 × 74.5 × 105 up to Ø 60 × 60 × 103.5
Actuator	■ knob
Approvals	ENEC, UL and CSA (switch only)



### Popular products

Ordering Reference	Panel cut-out	Dimensions	Directional gating	Number of poles	Actuating modus	Switch type	Terminal Type	Electrical rating ENEC	UL/CSA
J84 111 113	Ø 22.5	74.5 × 74.4 × 94.7	4 way gate at 90°	1 pole	Normal	XG03-88	Solder	16 (6) A, 250 VAC, 5E4, T85	15 A, 250 VAC
J82 111 113	Ø 22.5	74.5 × 74.4 × 94.7	2 way gate at 180°	1 pole	Normal	XG03-88	Solder	16 (6) A, 250 VAC, 5E4, T85	15 A, 250 VAC
J84 112 113	Ø 22.5	74.5 × 74.4 × 94.7	4 way gate at 90°	1 pole	Lift to operate	XG03-88	Solder	16 (6) A, 250 VAC, 5E4, T85	15 A, 250 VAC
J82 112 113	Ø 22.5	74.5 × 74.4 × 94.7	2 way gate at 180°	1 pole	Lift to operate	XG03-88	Solder	16 (6) A, 250 VAC, 5E4, T85	15 A, 250 VAC
J82 211 113	Ø 22.5	74.5 × 74.4 × 105	2 way gate at 180°	2 pole	Normal	XG03-88	Solder	16 (6) A, 250 VAC, 5E4, T85	15 A, 250 VAC
J84 211 113	Ø 22.5	74.5 × 74.4 × 105	4 way gate at 90°	2 pole	Normal	XG03-88	Solder	16 (6) A, 250 VAC, 5E4, T85	15 A, 250 VAC

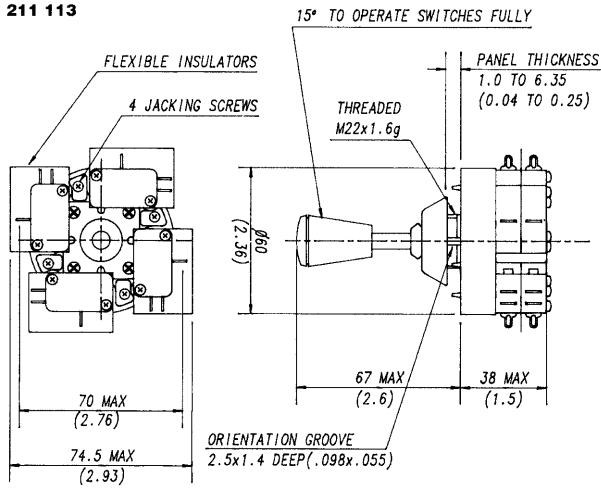
## Specifications

Top plate	Glass fibre reinforced polyamide (PA. 6.6)
Control rod	Steel chrome plated
Bezel/knob	Phenolic
Cowl/'O' ring	Silicon rubber
Temperature range	-40°C to +85°C
Mechanical life	5 × 10 <sup>5</sup> cycles minimum
Type of protection	Cowl and 'O' ring provide front of panel sealing. For details of insert switch protection refer to the appropriate section
Mounting	via single hole 22.5 mm (0.89 in) dia
Insert switches	V4NCT7 – Sub-miniature XG03-88 – Miniature (Other types may be possible please consult SAIA-Burgess Electronics)

Dimensions

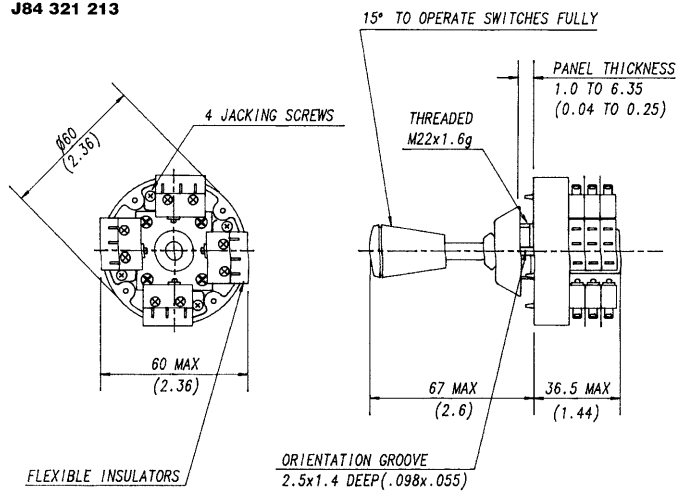
Dimensions below panel

**J84 211 113**



Dimensions above panel

**J84 321 213**



### Recommended maximum electrical ratings

	Voltage	Voltage (V)	Resistive load (A)	Inductive load (A)	
V4NCT7	AC	up to 250	5	2	See pages 52 to 55
	DC	up to 30	5	3	
	DC	up to 50	1	1	
	DC	up to 75	0.75	0.75	
XG03-88	AC	up to 250	16	6	See pages 70 to 73
	DC	up to 30	12	7	
	DC	up to 50	3	1.5	
	DC	up to 75	1	0.6	
	DC	up to 125	0.5	0.3	
	DC	up to 125	0.5	0.3	
	DC	up to 250	0.3	0.2	

### Type coding key for standard products

Basic type	J8	Example: J8	0	1	1	1	113
Number of gates	0	Ungated (stirring action)					
	2	2 gates at 180°					
	4	4 gates at 90°					
Number of switches mounted	1	1 × V4NCT7 or 2 × XG03-88					
per gate	2	2 × V4NCT7 or 2 × XG03-88					
	3	3 × V4NCT7 only					
Type of action	1	Momentary					
	2	Latching					
	4	Stirring					
Mode of operation	1	Normal (Direct push)					
	2	Lift to operate					
Type of micro switches fitted	113	XG03-88					
	213	V4NCT7					

